

5MP Fisheye Fixed Dome Network Camera

IPC815SB-ADF14K-I0



Key Features



- High quality image with 5MP, 1/2.8"CMOS sensor
- 5MP (2592*1944):@ 30/25fps;
- Ultra 265, H.265, H.264, MJPEG
- 120dB true WDR technology enables clear image in strong light scene
- Built-in 2 Mic, Supports the detection of sounds over longer distances
- Alarm:1 in/1 out, Audio: 1 in/1 out
- Smart IR, up to 10m (33ft) IR distance
- Supports 256 G Micro SD card
- IK10 vandal resistant
- IP66 protection
- Support PoE power supply

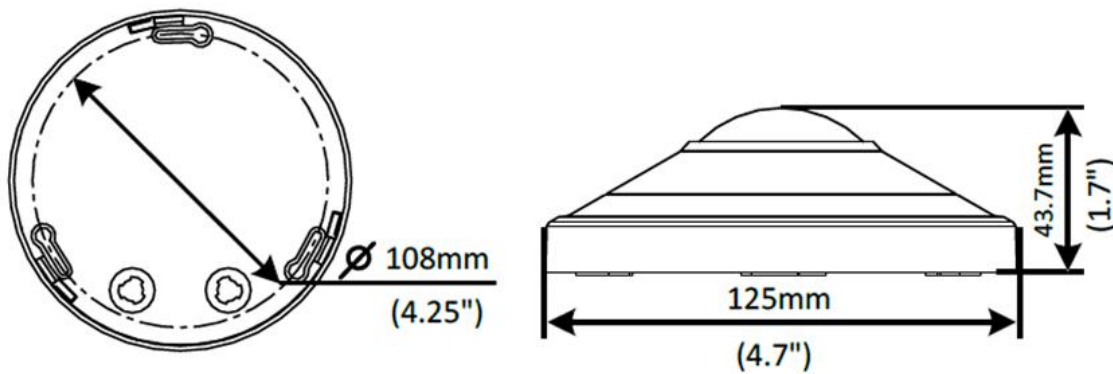
Specifications

| | | | | | |
|-------------------------|---|------------|-------------|---------------|--------------|
| | IPC815SB-ADF14K-I0 | | | | |
| Camera | | | | | |
| Image sensor | 1/2.8", progressive scan, 5.0 megapixel, CMOS | | | | |
| Minimum Illumination | Colour: 0.01 lux (F2.0, AGC ON) 0 lux with IR | | | | |
| Day/Night | IR-cut filter for day & night function | | | | |
| Shutter | Auto/Manual, shutter time: 1~1/100000 s | | | | |
| WDR | 120dB | | | | |
| S/N | >55dB | | | | |
| Lens | | | | | |
| Lens type | 1.4mm@F2.0 | | | | |
| Iris | Fixed | | | | |
| Angle of View | 360° | | | | |
| DORI | | | | | |
| DORI Distance | Lens | Detect (m) | Observe (m) | Recognize (m) | Identify (m) |
| | 1.4mm | 31.5 | 12.6 | 6.3 | 3.2 |
| Illuminator | | | | | |
| IR Range | UP to 10m (33ft) | | | | |
| wavelength | 850nm | | | | |
| IR On/Off Control | Auto/Manual | | | | |
| Video | | | | | |
| Compression | Ultra 265, H.265, H.264, MJPEG | | | | |
| H.264 code profile | Baseline profile, Main Profile, High Profile | | | | |
| Frame Rate | Main Stream: 5MP (2592*1944): Max.30fps; Sub Stream: 1080P (1920*1080): Max.30fps; 720P (1280*720), Max 30fps; Third Stream: D1 (720*576), Max 30fps; 640*360,Max 30fps; 2CIF(704*288), Max 30fps; CIF(352*288), Max 30fps; | | | | |
| Video Bit Rate | 128 Kbps~16 Mbps | | | | |
| U-code | Support | | | | |
| OSD | Up to 8 OSDs | | | | |
| Privacy Mask | Up to 4 areas | | | | |
| ROI | Up to 8 areas | | | | |
| Video Stream | Triple streams | | | | |
| Image | | | | | |
| White Balance | Auto/Outdoor/Fine Tune/Sodium Lamp/Locked/Auto2 | | | | |
| Digital noise reduction | 2D/3D DNR | | | | |
| Smart IR | Support | | | | |
| Flip | Normal/Flip Vertical/ Flip Horizontal/180° | | | | |
| Dewarping | N/A | | | | |
| HLC | N/A | | | | |
| BLC | Support | | | | |
| Defog | Digital Defog | | | | |
| Events | | | | | |

| | |
|--------------------------|--|
| Statistical Analysis | heat map |
| Basic Detection | Motion detection, tampering alarm, audio detection |
| General Function | Watermark, IP Address Filtering, Tampering Alarm, Alarm input, Alarm output, Access Policy, ARP Protection, RTSP Authentication, User Authentication |
| Audio | |
| Audio Compression | G.711 |
| Audio Bitrate | 64 Kbps |
| Two-way audio | Supported |
| Suppression | Supported |
| Sampling Rate | 8 KHZ |
| Storage | |
| Edge Storage | Micro SD, up to 256GB |
| Network Storage | ANR, NAS(NFS) |
| Network | |
| Protocols | IPv4, IGMP, ICMP, ARP, TCP, UDP, DHCP, PPPoE, RTP, RTSP, RTCP, DNS, DDNS, NTP, FTP, UPnP, HTTP, HTTPS, SMTP, 802.1x, SNMP, QoS, RTMP, SSH |
| Compatible Integration | ONVIF (Profile S, Profile G, Profile T), API,SDK |
| User/Host | Up to 32 users. 2 user levels: administrator and common user |
| Security | Password protection, Strong password, HTTPS encryption, Export operation logs, Basic and digest authentication for RTSP, Digest authentication for HTTP, TLS 1.2, WSSE and digest authentication for ONVIF |
| Client | EZStation EZView EZLive |
| Web Browser | Plug-in required live view: IE9+, Chrome 41 and below, Firefox 52 and below |
| | Plug-in free live view: Chrome 57.0+, Firefox 58.0+, Edge 16+ |
| Live View Display | |
| Mount Type | Support table, wall, and ceiling |
| Decoding Mode | Support software decoding |
| Display Mode | 11 display modes in total Software decoding: Ceiling mount: fisheye view, 360°Panoramic+1PTZ, 180°Panoramic, Fisheye+3PTZ, Fisheye+4PTZ, 360°Panoramic+6PTZ, Fisheye+8PTZ Wall mount: fisheye view, Panoramic, Panoramic+3PTZ, Panoramic+4PTZ, Panoramic+8PTZ Table mount: fisheye view, 360°Panoramic+1PTZ, 180°Panoramic, Fisheye+3PTZ, Fisheye+4PTZ, 360°Panoramic+6PTZ, Fisheye+8PTZ |
| Interface | |
| Audio I/O | Input: impedance 35 kΩ; amplitude 2 V [p-p] |
| | Output: impedance 600 Ω; amplitude 2 V [p-p] |
| Alarm I/O | 1/1 |
| RS485 | N/A |
| Built-in Mic | Supported 2 |
| Built-in Speaker | N/A |
| WIFI | N/A |
| Network | 1 * RJ45 10M/100M Base-TX Auto-adaptive Ethernet |
| Video Output | N/A |
| Certifications | |
| EMC | CE-EMC (EN 55032: 2015+A1:2020,EN 61000-3-3: 2013+A1: 2019,EN IEC 61000-3-2: 2019+A1: 2021,EN 55035: |

| | |
|---------------------|--|
| | 2017+A11:2020) FCC (FCC CFR 47 part15 B, ANSI C63.4-2014) |
| Safety | CE LVD (EN 62368-1:2014+A11:2017) CB (IEC 62368-1:2014) UL (UL 62368-1, 2nd Ed., Issue Date: 2014-12-01) |
| Environment | CE-RoHS (2011/65/EU;(EU)2015/863); WEEE (2012/19/EU); Reach (Regulation (EC) No 1907/2006) |
| Protection | IP66 (IEC 60529:1989+AMD1:1999+AMD2:2013) IK10 (IEC 62262:2002) |
| General | |
| Power | DC12V±25%,PoE (IEEE 802.3af) |
| | Power consumption: Max. 8.5W |
| Power Interface | Ø 5.5mm coaxial power plug |
| Dimensions (Φ × H) | Φ125 × 43.7 mm (Φ4.9" × 1.7") |
| Weight | 0.36kg (0.79lb) |
| Material | Metal + Plastic |
| Working Environment | -30°C ~ 60°C (-22°F ~ 140°F), Humidity: ≤95% RH (non-condensing) |
| Storage Environment | -30°C ~ 60°C (-22°F ~ 140°F), Humidity: ≤95% RH (non-condensing) |
| surge protection | 4KV |
| Reset Button | Supported |

Dimensions



Accessories

TR-JB03-H-IN
Junction Box



TR-A01-IN
Waterproof Joint



TR-SE24-IN
Pendant Mount



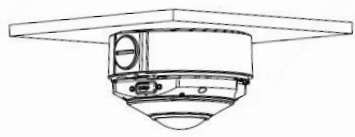
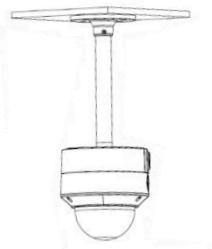
TR-SE24-A-IN
Pendant Mount



TR-CM24-IN

Pendant Mount



| Junction box | Indoor pendent mount |
|---|--|
| TR-JB03-H-IN+TR-A01-IN | TR-JB03-H-IN +TR-A01-IN+ TR-SE24-IN(TR-SE24-A-IN)+ TR-CM24-IN |
|  |  |

Zhejiang Uniview Technologies Co., Ltd.

Building No.10, Wanlun Science Park, Jiangling Road 88, Binjiang District, Hangzhou, Zhejiang, China (310051)

 Email: overseasbusiness@uniview.com; globalsupport@uniview.com
<http://www.uniview.com>

©2021-2022 Zhejiang Uniview Technologies Co., Ltd. All rights reserved.

* Product specifications and availability are subject to change without notice.